



F7N-80

Tapping Unit

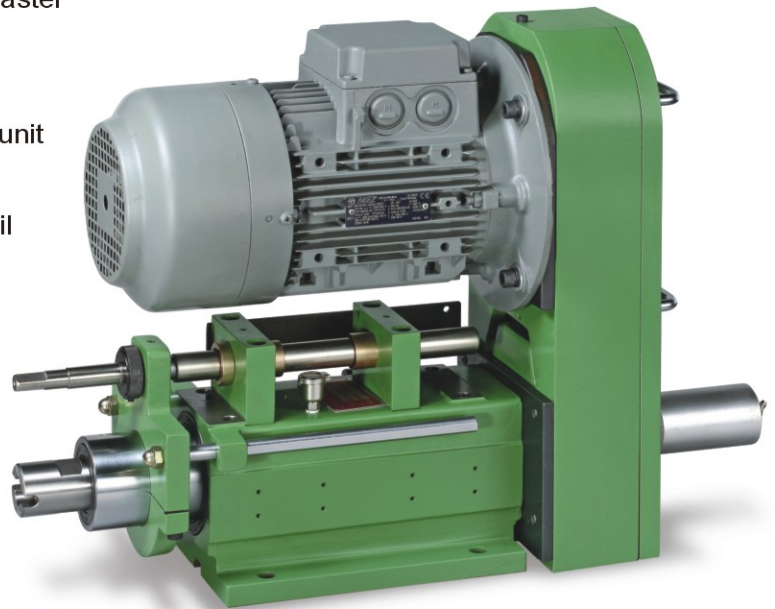
Specification

Tapping Capacity	M30(mild steel)
Stroke	80mm
Thread Pitch	0.7mm~2.5mm
Weight	41kg
Gauge Lubrication	Grease
Transmission	a. A2-DP ϕ 141 b. B2-DP ϕ 139 c. HTD-8YU-58T d. RS40-2row-35T

Consumption Parts

Spindle Bearing	a. 6008Zx3
	b. NT40spindle-6909ZZx2, 6008Zx1
Pulley Bearing	6010Zx2, 6010LLx1
O-Ring for Spindle	TC45-68-12x1, TC80-105-13x1

- The unit is mounted with high precision, ground master gauge for precision and fine tapping works.
- Thread pitch should be given when ordering.
- Master gauge is mounted externally at the end of unit for easy and quick change.
- Horizontal and vertical application are available, oil cup should be adjusted accordingly.
- For mounting multiple spindle to this tapping unit, we recommended nose type:F7N-80-MT3B.

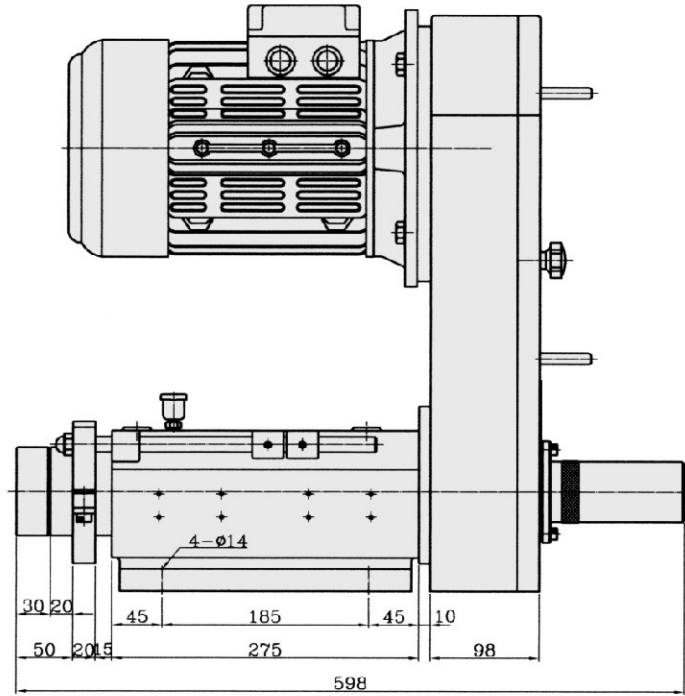
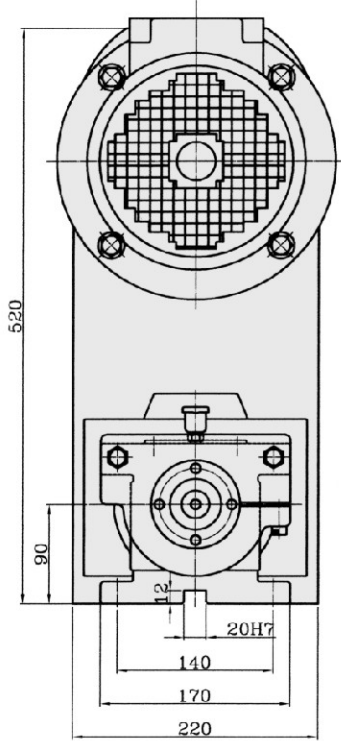




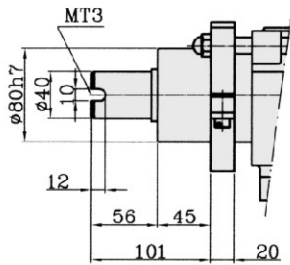
F7N-80

Tapping Unit

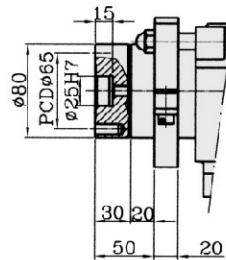
■ Dimensions



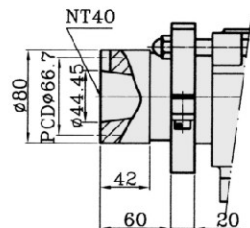
F7N-80-MT3B Multi



F7N-80-FB30



F7N-80-NT40



F7N-80-AS32

